

QUIKLOOK 3-FS (QL3-FS) Hardware Update

Presented by:
R. Michael Sullivan
Jason Haglund



TELEDYNE LECROY TEST SERVICES
Everywhereyoulook™



QUIKLOOK 3-FS (QL3-FS) Hardware Update

TOPICS

- Motor Voltage Attenuator (MVA)
- Spring Pack Measurement Device (SPMD), Rotork Actuator Compatible
- Stem Position Indicator (SPI)
- Stem Position Encoder (SPE)
- AC Current Probes
- AC/DC Current Probes
- Fisher Travel Encoder Bracket Kits
- QL3-FS System Color Coding
- Voice Powered Headset Interface (160052)
- VoIP QL3 Headsets (160635)
- QL3-FS Quick Start Setup Guide



QUIKLOOK 3-FS (QL3-FS) Hardware Update

Motor Voltage Attenuator (MVA)

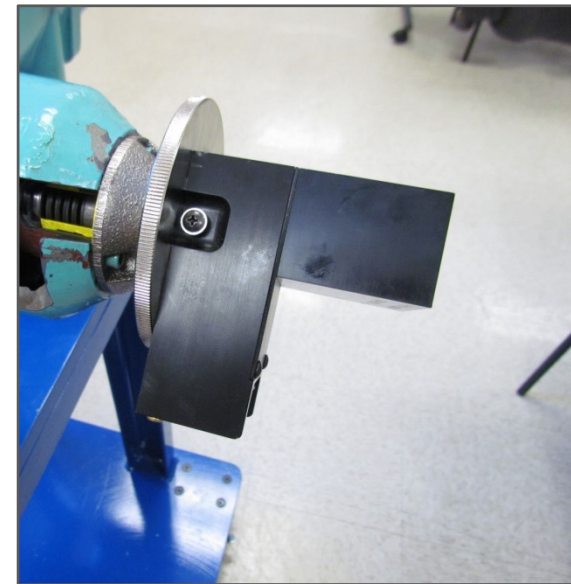
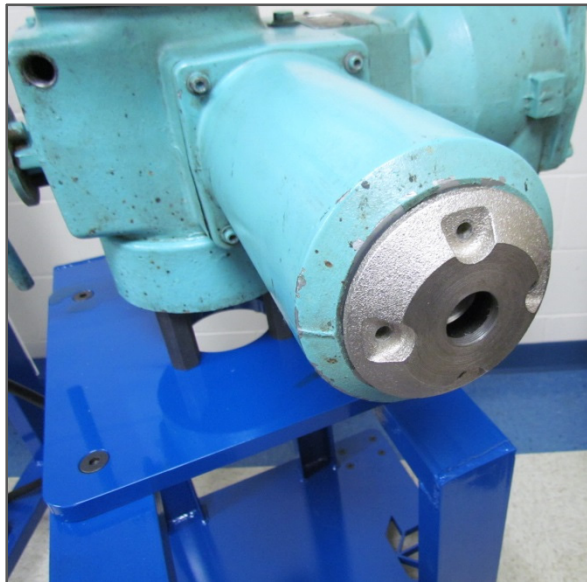
- Phase-to-Phase Measurements
- 3-phase AC Inductive Motors
- High Level AC Voltages to Low Level Signals
- Input: 0 to 700 VAC RMS, 1000 Vpeak
- Output: 0 to 7 VAC RMS, 10 Vpeak
- +/-1% of Reading Accuracy



QUIKLOOK 3-FS (QL3-FS) Hardware Update

Spring Pack Measurement Device (SPMD), Rotork Actuator Compatible

- Low Friction Brass Extension Tips
- Rotork Adapter Plate (Grooved)

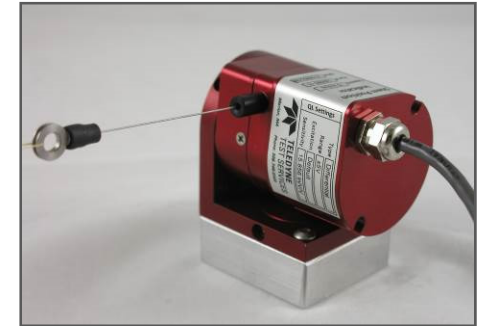
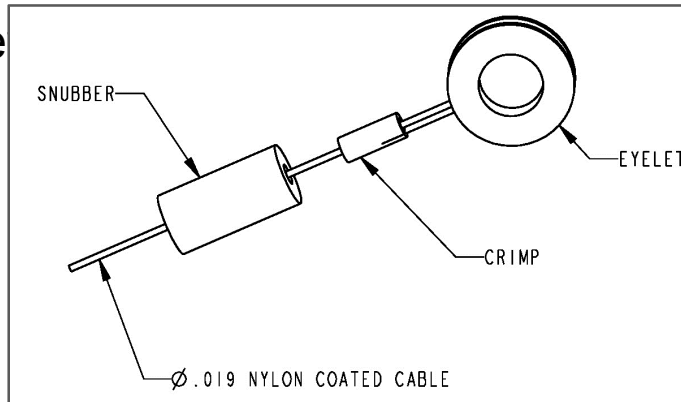


QUIKLOOK 3-FS (QL3-FS) Hardware Update



Linear Travel Sensors

- Stem Position Indicator (**SPI**) – ANALOG
 - Accuracy +/-0.25%FS
- Stem Position Encoder (**SPE**) – DIGITAL
 - Accuracy +/-0.04%FS
- Added 50" Length Version
- Higher Tensile Strength Cable
- Re



QUIKLOOK 3-FS (QL3-FS) Hardware Update

Updated Current Probe Offerings

- AC Current Probes
- AC/DC Current Probes

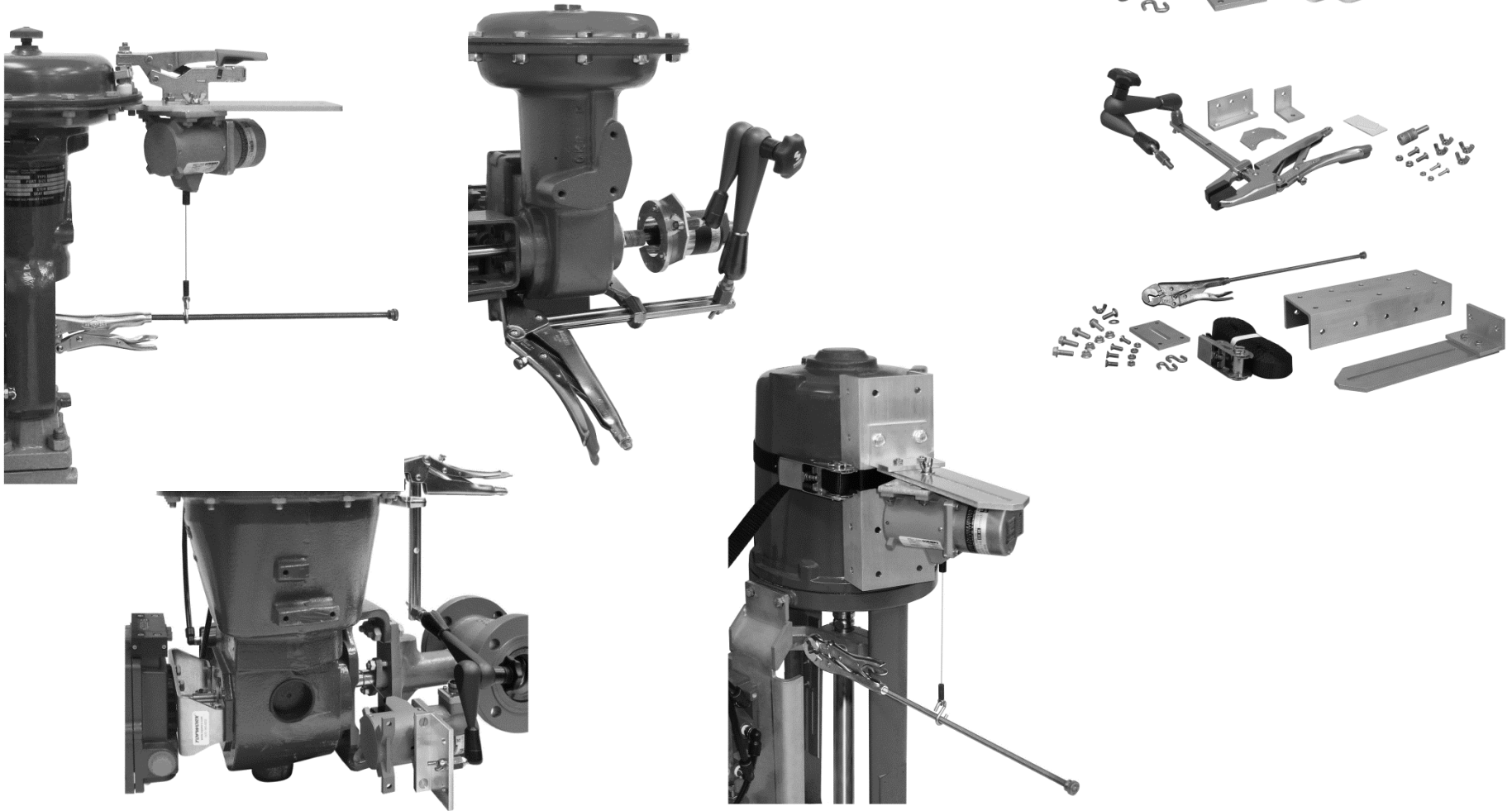


QUIKLOOK 3-FS (QL3-FS) Hardware Update



Fisher Travel Encoder Bracket Kits

- Linear & Rotary

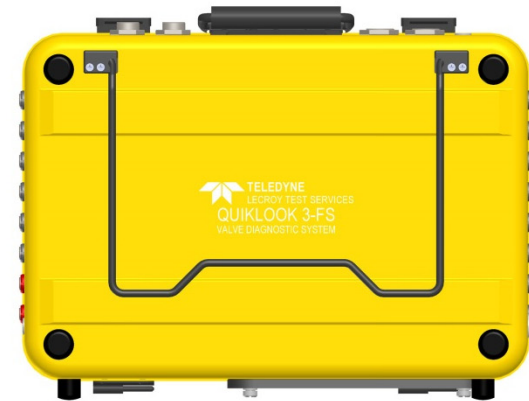
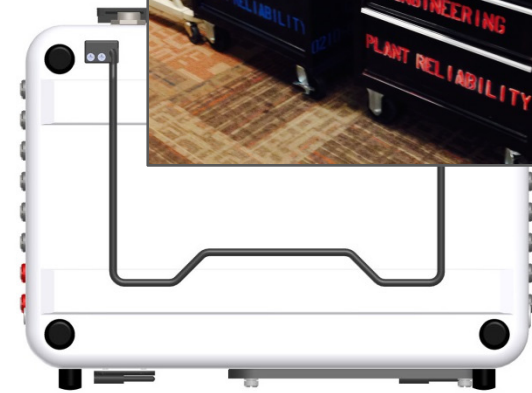
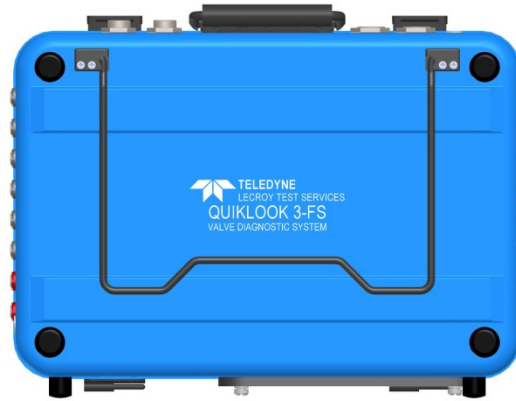


QUIKLOOK 3-FS (QL3-FS) Hardware Update



QL3-FS System Color Coding

- Powder Coated Cases



QUIKLOOK 3-FS (QL3-FS) Hardware Update

HEADSET Communications

- Voice Powered Headset Interface (160052)
- VoIP QL3 Headsets (160635)

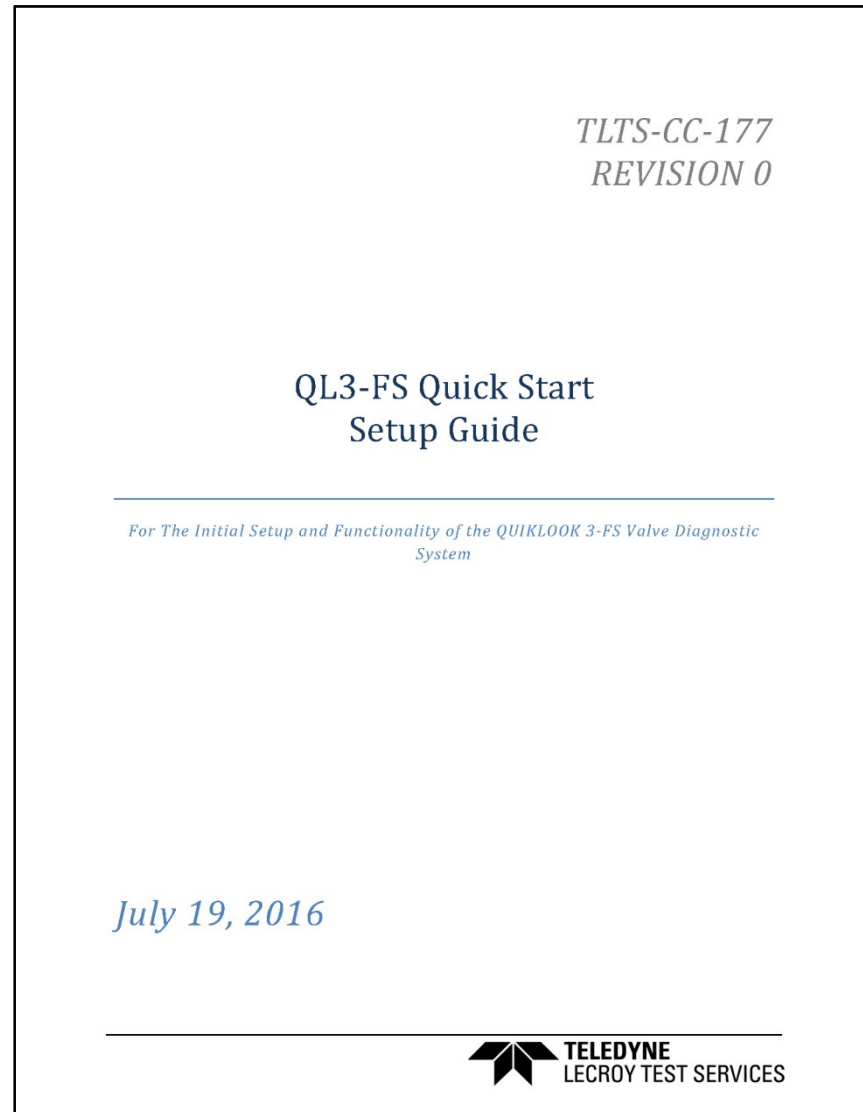


QUIKLOOK 3-FS (QL3-FS) Hardware Update



QUIKLOOK 3-FS Quick Start Guide

- What's in the Box?
- Details on all Connections
- Inputs & Outputs
- How to Power On? Power Options
- Basic Operation



Any Questions?

THANK YOU



TELEDYNE LECROY TEST SERVICES
Everywhereyoulook™